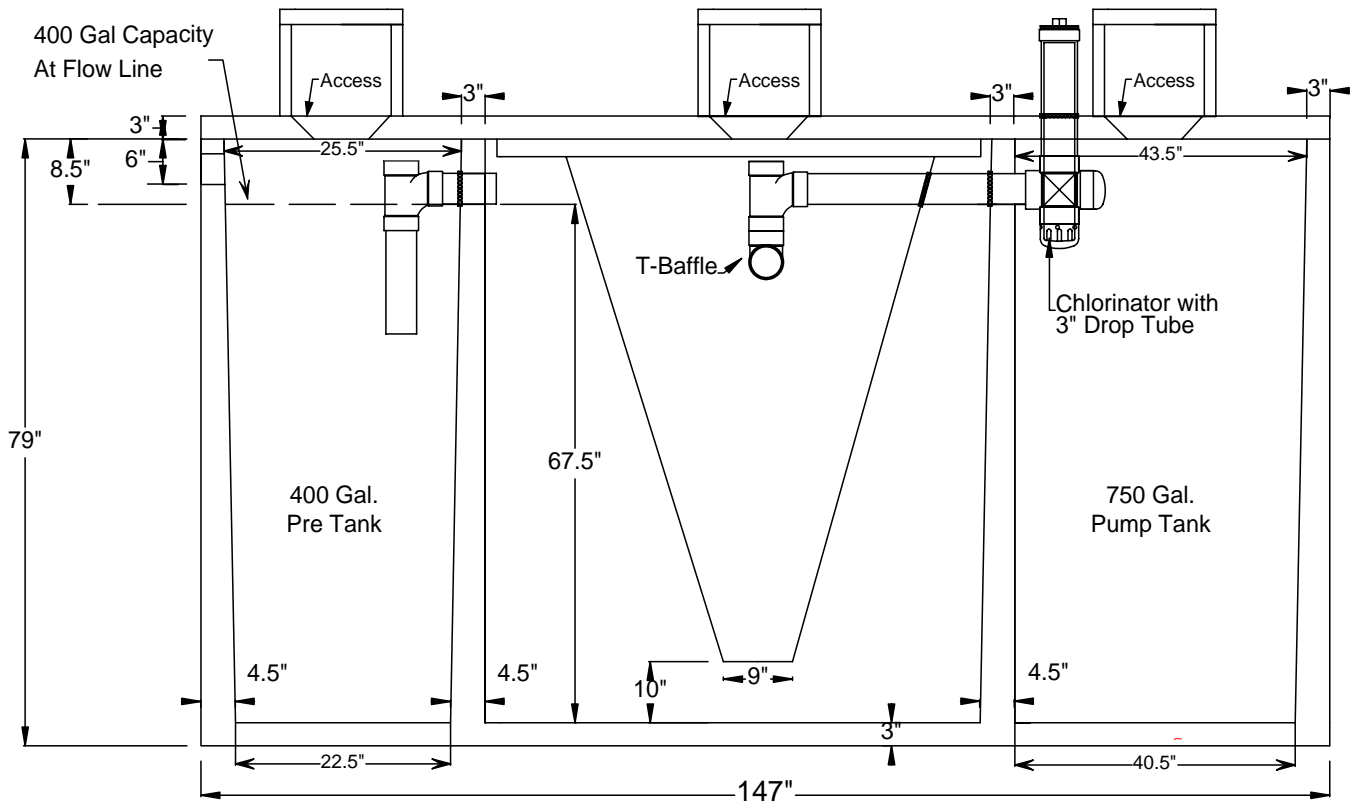
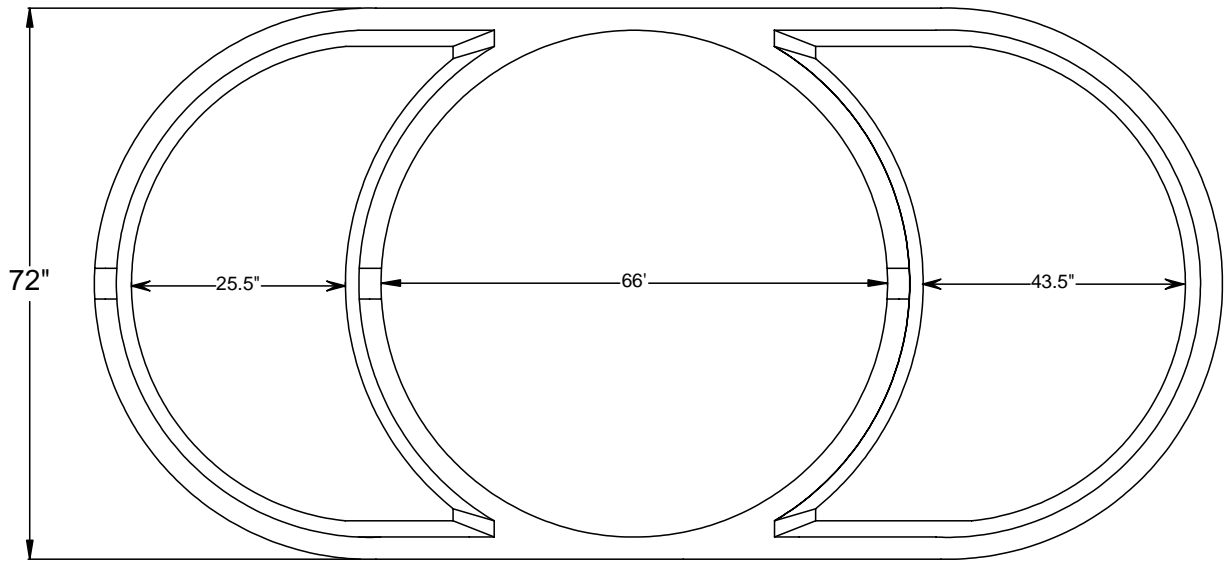


# AS500 4+75 Concrete Tank With Lid



Ecological Tanks, Inc.

Patented

4/2002

FIGURE 12